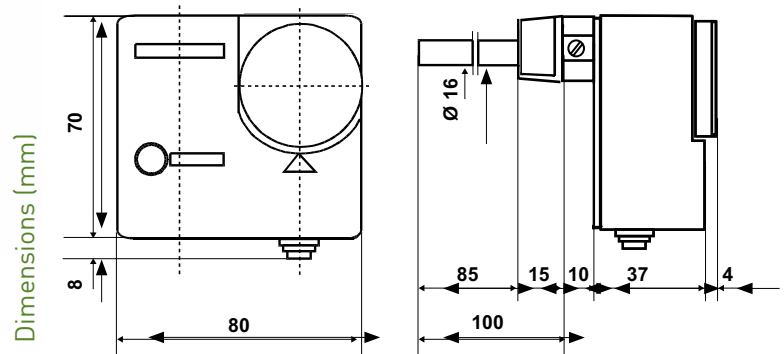


# C07A3M

## Control and lockout immersion bithermostat



Positive safety control and lockout immersion bithermostat for boilers and heating systems.



	Temperature range °C	Lockout action °C	Differential K	Lockout action tolerance °C	Calibration accuracy °C	Protection level
C07A3M	10 ÷ 90	100	6 ± 1	+ 0 - 6	± 3	IP40

\*The differential is subtracted from the range value. The differential values refer to a thermal gradient of 1K/hour in liquid and 4K/hour in air.

## ELECTRICAL FEATURES

Two directions microswitch of instant action with manual reset with AGcdO contacts.

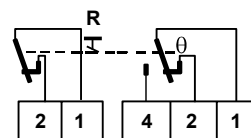
Contact parameters in compliance with EN 60730-1:  
15(6)A 250V~ 50Hz.

Parameters in compliance with EN 60947-5-1:

Nominal insulation voltage:  $U_i$  380V~.

Nominal continuous current:  $I_{th}$  15A.

Nominal operating current $I_e$ :	220V~	250V~	380V~
Resistive load	AC-12	15A	10A
Inductive load	AC-15	2,5A	1,5A
Direct current	DC-13	0,2A	-



## STANDARDS AND CERTIFICATES

Compliance with standards EN 60947-5-1, EN 60730-1.  
ISPESL approval.

## INSTALLATION

Direct immersion mounting of the bulb via threaded sheath GC 1/2 (included in the package).

## OPERATION

---

When the temperature increases are opening the contacts 1-2.

Liquid expansion function.

The thermostat controls the temperature in the values range from 10 to 90°C; if the system reaches the limit temperature, the lockout thermostat interrupts the electrical circuit and to reactivate it is necessary to act on the manual reset (after the temperature has dropped until ~ 25 ° C).

In case of breakdown or failure of its sensing element, the thermostat interrupts the electrical circuit and is no longer possible to reactivate the system (is necessary to replace the thermostat).

## FEATURES

---

The bithermostat consists of a C03A3 and a C06A3M in one cover and in one sheath.

Sensing element with stainless steel diaphragm.

Copper sheath with GC 1/2 PN10 connection.

Base, cover and knob in shock-proof self-extinguishing thermoplastic material V0.

Electrical connection output with PVC cable gland.

Maximum bulb temperature: 130°C.

The storage and transport temperature: -35 ÷ 120°C .

Admissible body temperature: 120°C.

Unit weight: 0,37 Kg.

## ACCESSORIES

---



303298LA

Cable gland G1/2 for connection output in shock-proof self-extinguishing thermoplastic material V0.



G31

Copper sheath with length 100mm, Gc 1/2" PN10.