

DESCRIPTION

The direct acting solenoid valves series "UL" are produced in conformity with the Directives EC 89/336, EC 92/31, EC 93/68, EC 73/23 in the 3/2 N.O. (with feed from the exhaust "3") and 3/2 N.C. pneumatic functions. The function 2/2 is obtainable closing exhaust "3". Besides are available the versions with ports G 1/8, suitable for single use, and with interface for multi-station base mounting or for mounting on poppet and to ex CETOP RP 32 P (with fixed position) valve bodies.

TECHNICAL DATA

Operating pressure	0 ÷ 10 bar
Working temperature	0 ÷ +50 °C (-20 °C with dry air)
Fluid	Filtered, unlubricated or continuous lubricated compressed air
Nominal diameter	2 mm
Max. operating frequency	≤13 Hz
Coil	Intergrated in the body
Voltages	DC: 24 V AC: 24 - 110 - 220 V
Apparent power	DC: 7 W AC: 17 VA (inrush) - 10 VA (holding)
Voltage tolerance	-15% +15%
Protection class	IP 65
Insulation class	F
Solenoid rating	ED 100%
Electric connector	ULR1B - see chapter Connectors on page 2.15

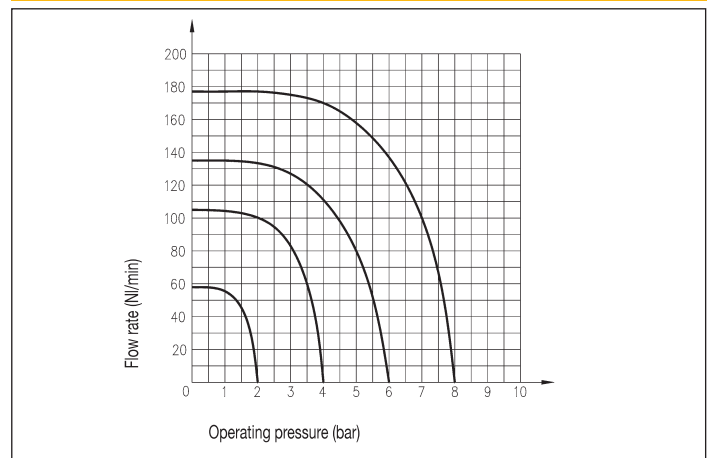
MATERIALS

Core	IMRE
Body ported G 1/8	Zamak
Body with interface	Glass stiffened polyamide (zamak upon request)
Springs	Stainless steel
Seals	Viton®
Manual override	Acetal resin



2

FLOW CHART - UL



3 PORT G 1/8 SIDE 32 mm

Symbol	Function	Controls		Response time at 6 bar (ms)		Flow rate at 6 bar ΔP = 1 bar (Nl/min)	Manual override	Weight (g)	TYPE*
		Pilot	Return	Pilot	Return				
	3/2 N.O.**	Solenoid	Mechanical spring	15	20	80	-	240	ULARG/R
	3/2 N.C.	Solenoid	Mechanical spring	15	20	80	-	240	ULCRG/R
	3/2 N.O.**	Solenoid	Mechanical spring	15	20	80	Manual bistable	240	ULARV/R
	3/2 N.C.	Solenoid	Mechanical spring	15	20	80	Manual bistable	240	ULCRV/R

* SPECIFY THE VOLTAGE IN THE ORDER
E.G.: ULARG/R02450-60

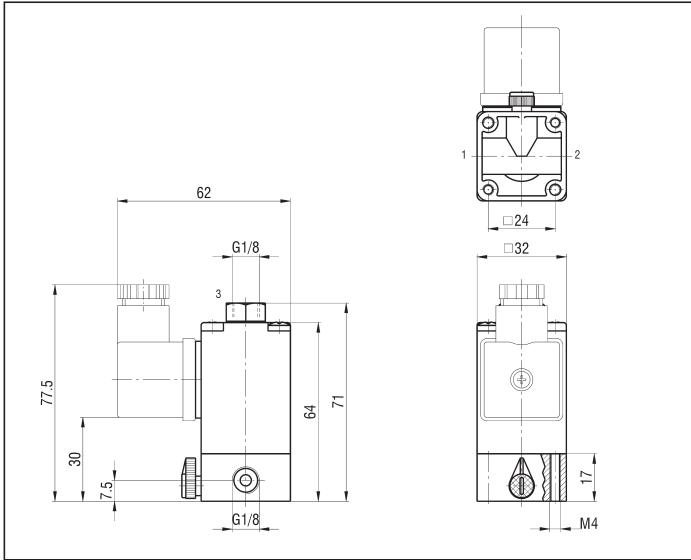
02400 = 24 V DC 11050-60 = 110 V AC
02450-60 = 24 V AC 22050-60 = 220 V AC

** For version N.O. arrange the connections as indicated:

- 1 = EXHAUST
- 2 = OUTPUT
- 3 = INPUT

2

3 PORT G 1/8



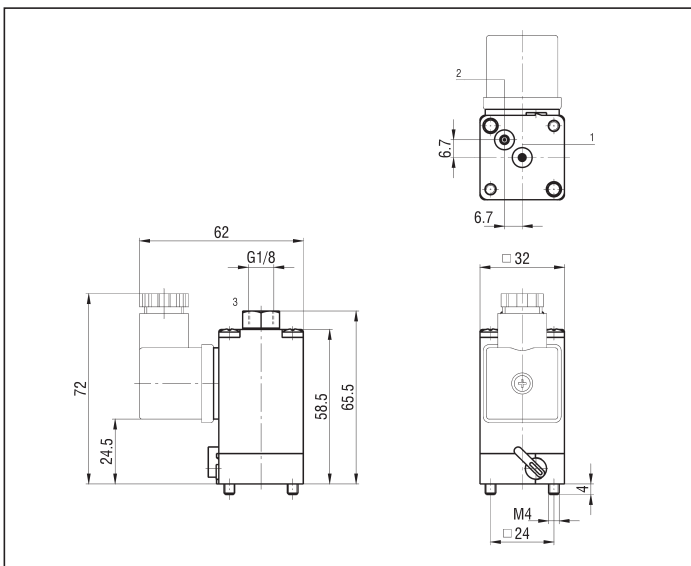
3 PORT WITH INTERFACE FOR MULTI-STATION BASES AND POPPET / ex CETOP VALVES (WITH FIXED POSITION)

Symbol	Function	Controls		Response time at 6 bar (ms)		Flow rate at 6 bar $\Delta P = 1$ bar (Nl/min)	Manual override	Weight (g)	TYPE*
		Pilot	Return	Pilot	Return				
	3/2 N.O.	Solenoid	Mechanical spring	15	20	80	-	200	ULASG/R
	3/2 N.C.	Solenoid	Mechanical spring	15	20	80	-	200	ULCSG/R
	3/2 N.O.	Solenoid	Mechanical spring	15	20	80	Manual bistable	200	ULASV/R
	3/2 N.C.	Solenoid	Mechanical spring	15	20	80	Manual bistable	200	ULCSV/R

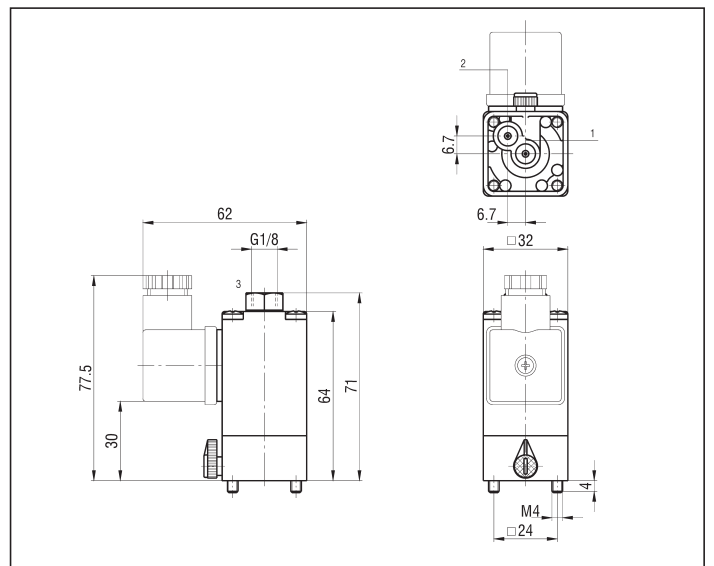
* SPECIFY THE VOLTAGE IN THE ORDER 02400 = 24 V DC 11050-60 = 110 V AC
 E.G.: ULARG/R02450-60 02450-60 = 24 V AC 22050-60 = 220 V AC

PS. 1: For body valve in zamak add the letter "A" to the type.
 E.G.: 3/2 N.C. with manual override, body in zamak ULCSV/RA + voltage.
 PS. 2: For body valve in plastic and universal interface strip change the letter "R" of the type with the letter "U".
 E.G.: 3/2 N.C. with manual override, body in plastic ULCSV/U + voltage.

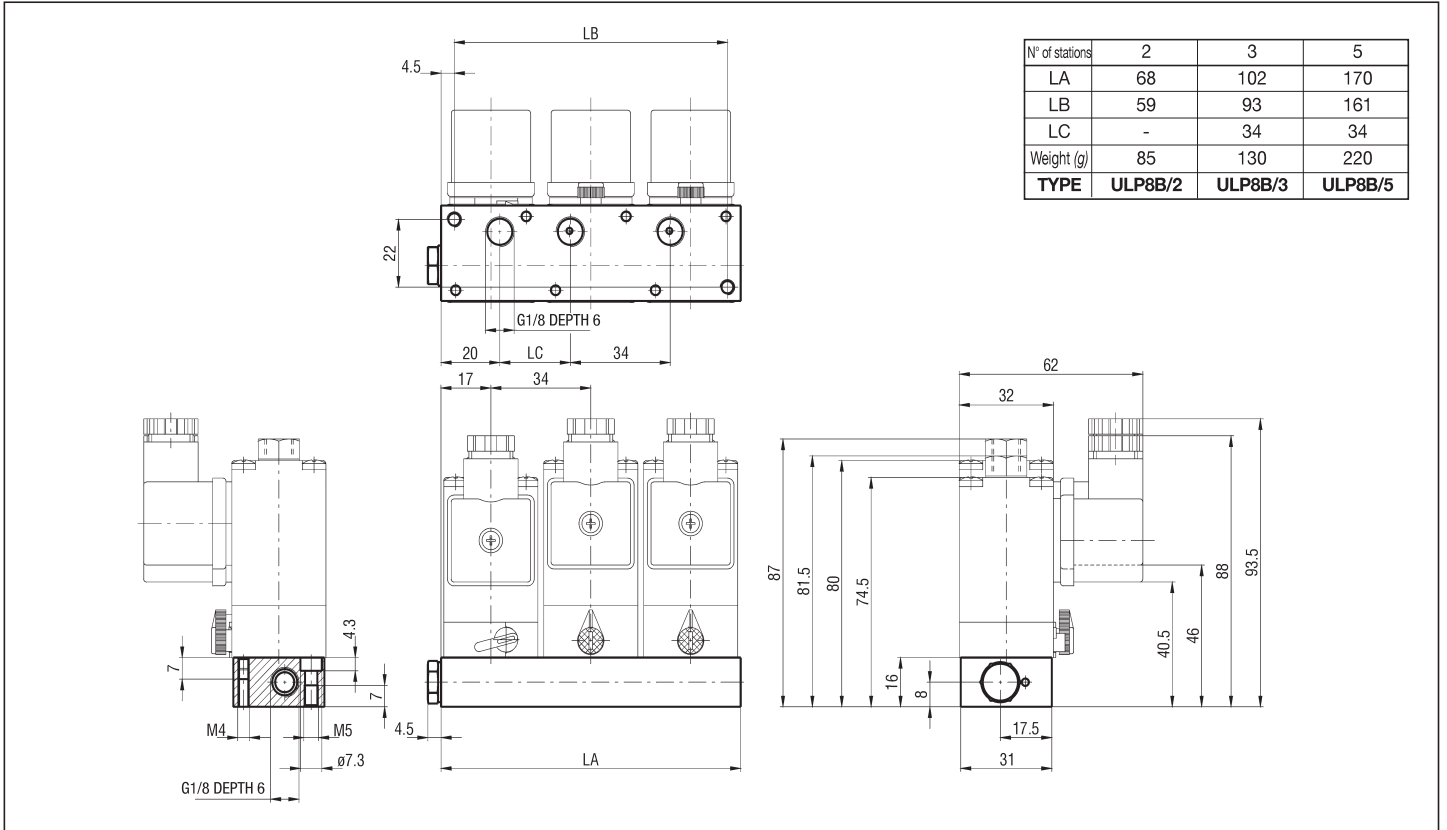
3 PORT WITH PLASTIC INTERFACE STRIP



3 PORT WITH ZAMAK INTERFACE STRIP

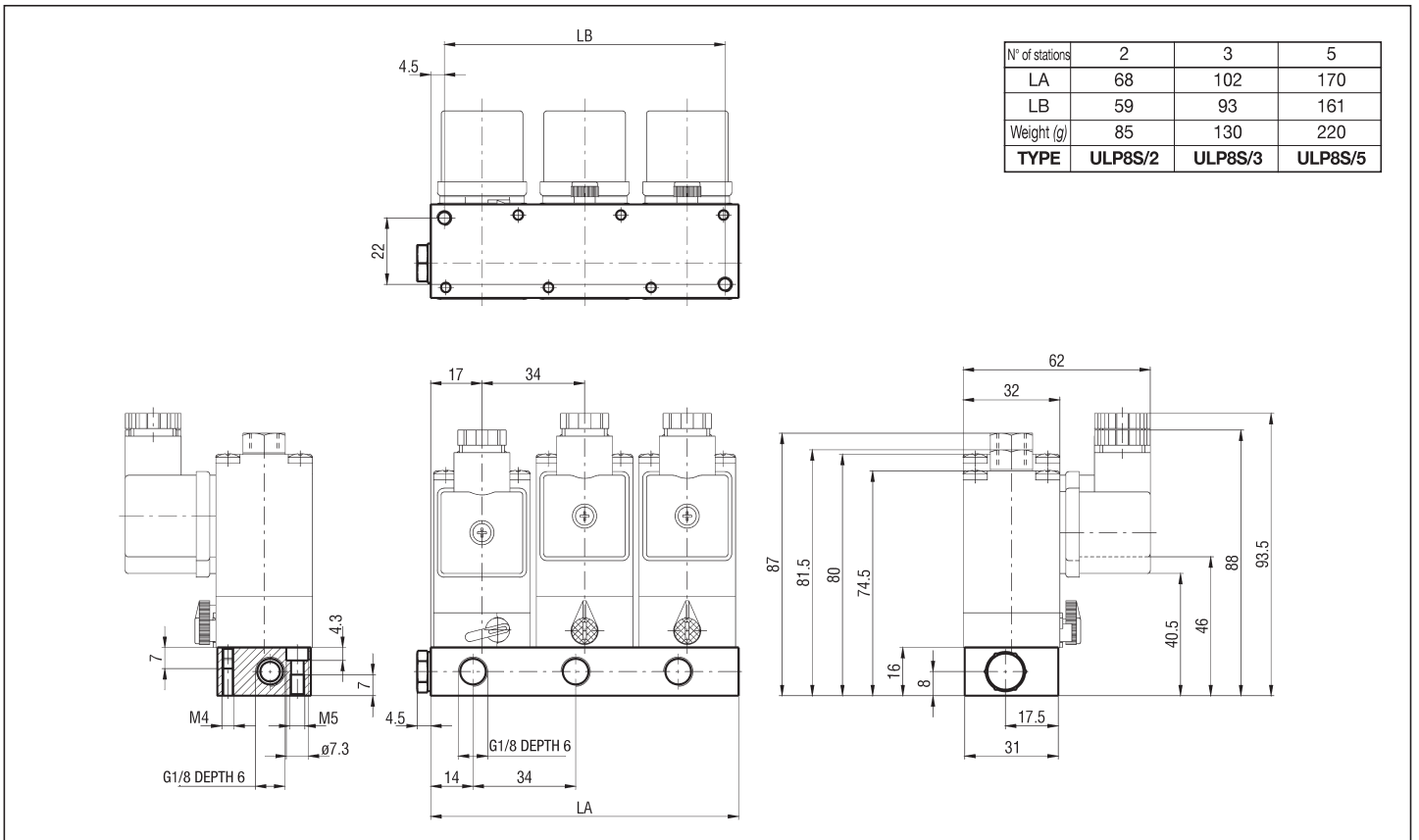


MULTI-STATION BOTTOM PORTED BASE G 1/8 - ULP8B



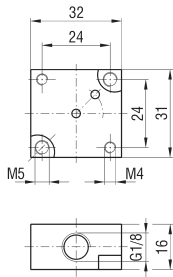
2

MULTI-STATION SIDE PORTED BASE G 1/8 - ULP8S



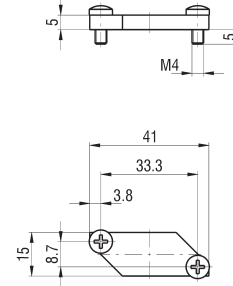
2

SINGLE BASE G 1/8 - XVB



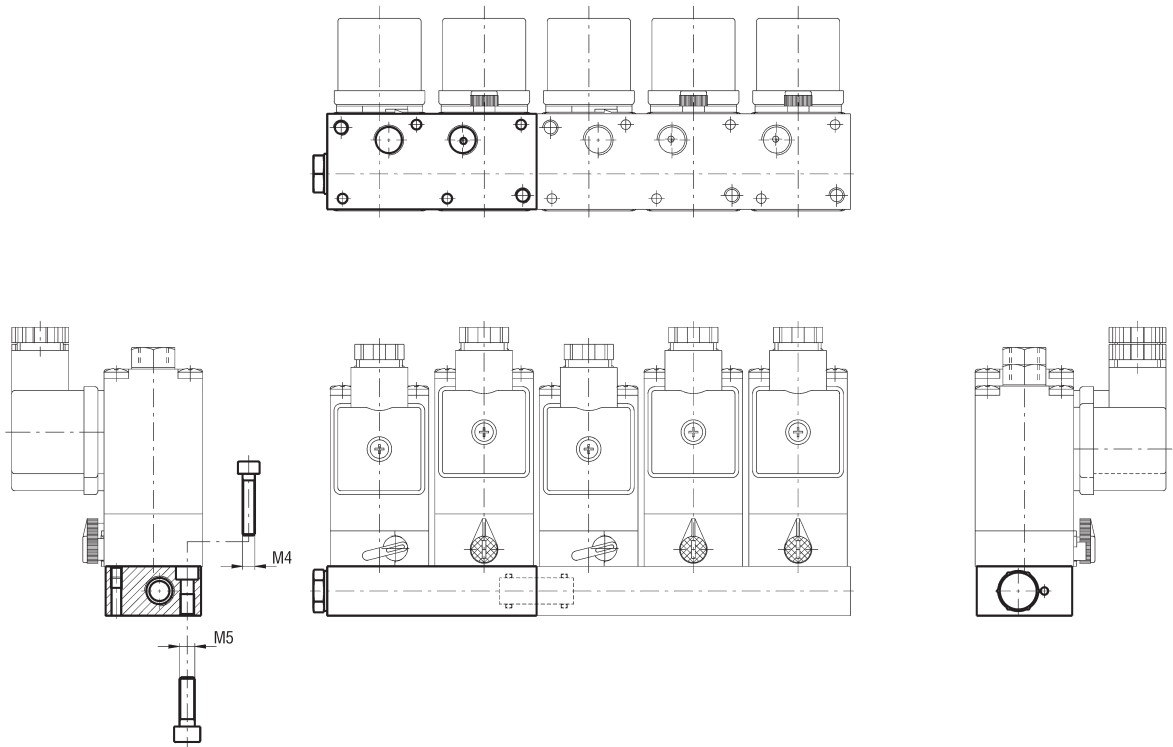
WEIGHT 40 g

BLANKING PLATE - KIT/PC/UL



WEIGHT 10 g

EXAMPLE OF BASES ASSEMBLY



P.S.: The connection nipple is supplied as standard with the multi-station base